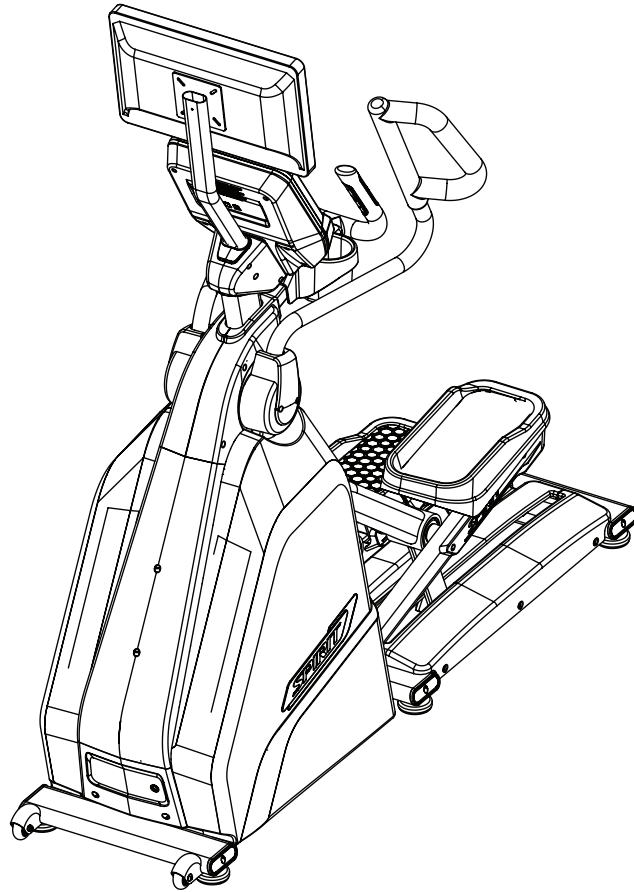
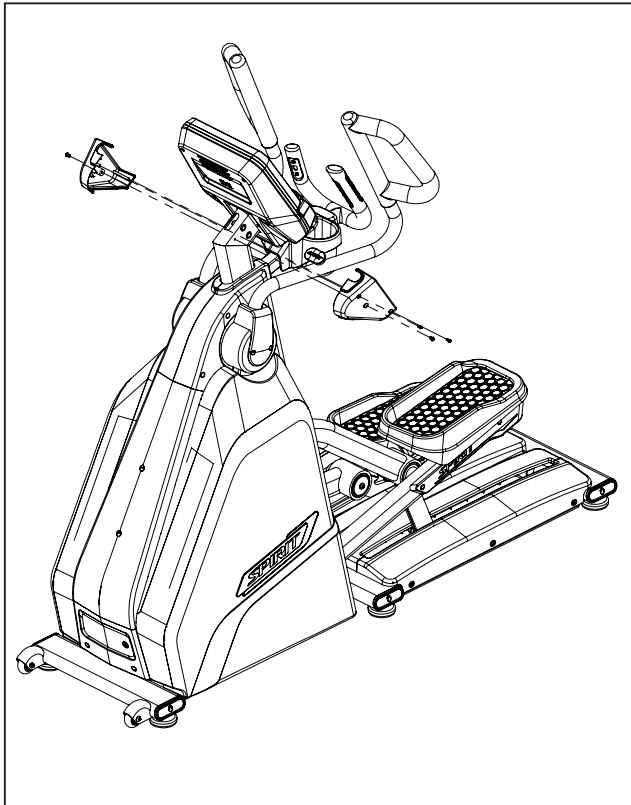


# **CE900** TV BRACKET

## INSTALLATION GUIDE

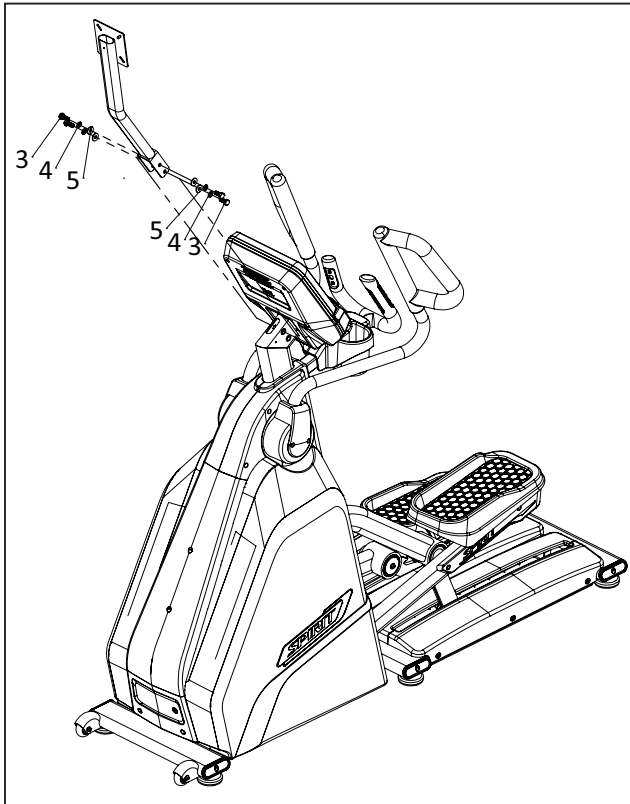


# CE900 TV BRACKET STEP ONE



1. Remove console cover and console.
2. Using a TV cable, or wire snake (indicated in a thick black line), drop it down the oval hole of the console mast tube. The cable should be free to travel all the way down the main tube and will exit the bottom of the machine where you may route the cables wherever needed.

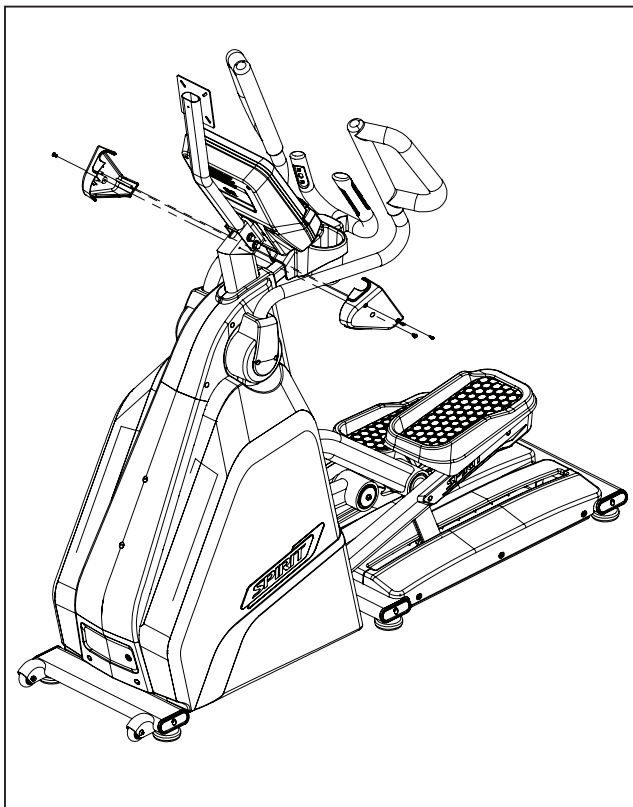
# CE900 TV BRACKET STEP TWO



HARDWARE FOR STEP 2			
PART	TYPE	DESCRIPTION	QTY
3	BOLT	M10x25mm	4
4	SPLIT WASHER	M10	4
5	FLAT WASHER	3/8"x2.0	4

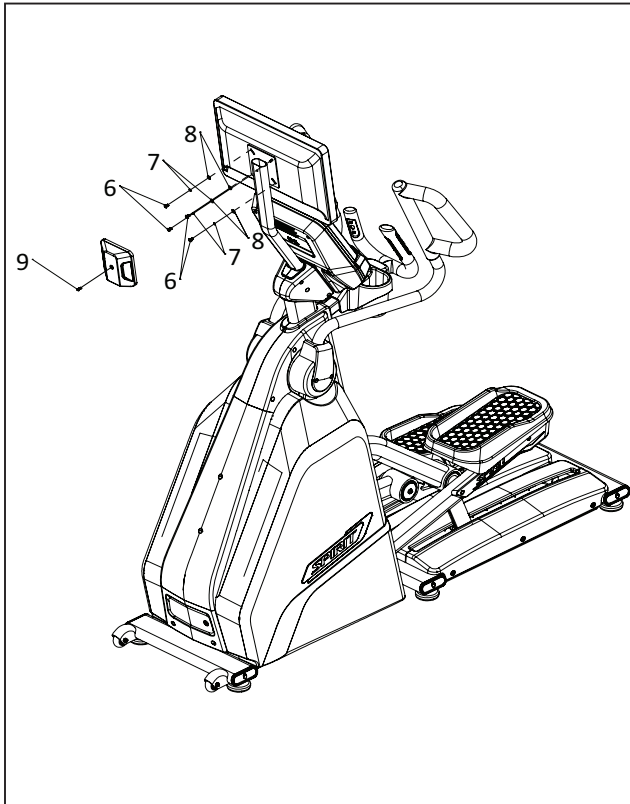
1. Route the cables at the top of the machine through the TV bracket and mount the bracket to the console mast with the four **M10 BOLTS (3)**, **SPLIT WASHERS (4)** and **FLAT WASHERS (5)**.

# **CE900 TV BRACKET** STEP THREE



1. Re-assemble the console and console cover to the console mast.

# CE900 TV BRACKET STEP FOUR



## HARDWARE FOR STEP 4

PART	TYPE	DESCRIPTION	QTY
6	SCREW	M4x12mm	4
7	SPLIT WASHER	M4	4
8	FLAT WASHER	4x1.0	4
9	SCREW	M5x12mm	1

1. Assemble the TV to the TV bracket with four **M4 SCREWS (6)**, **SPLIT WASHERS (7)** and **FLAT WASHERS (8)**.
2. Attach the rear TV bracket cover with the **M5 SCREW (9)**.
3. Connect the cables to the TV.





800.258.4555  
spiritservice@spiritfitness.com  
www.spiritfitness.com



Spirit Fitness  
3000 Nestle Road  
Jonesboro, AR 72401



CE900 TV Bracket Installation Guide  
© 2017 All Rights Reserved  
Revision: 01.24.2017