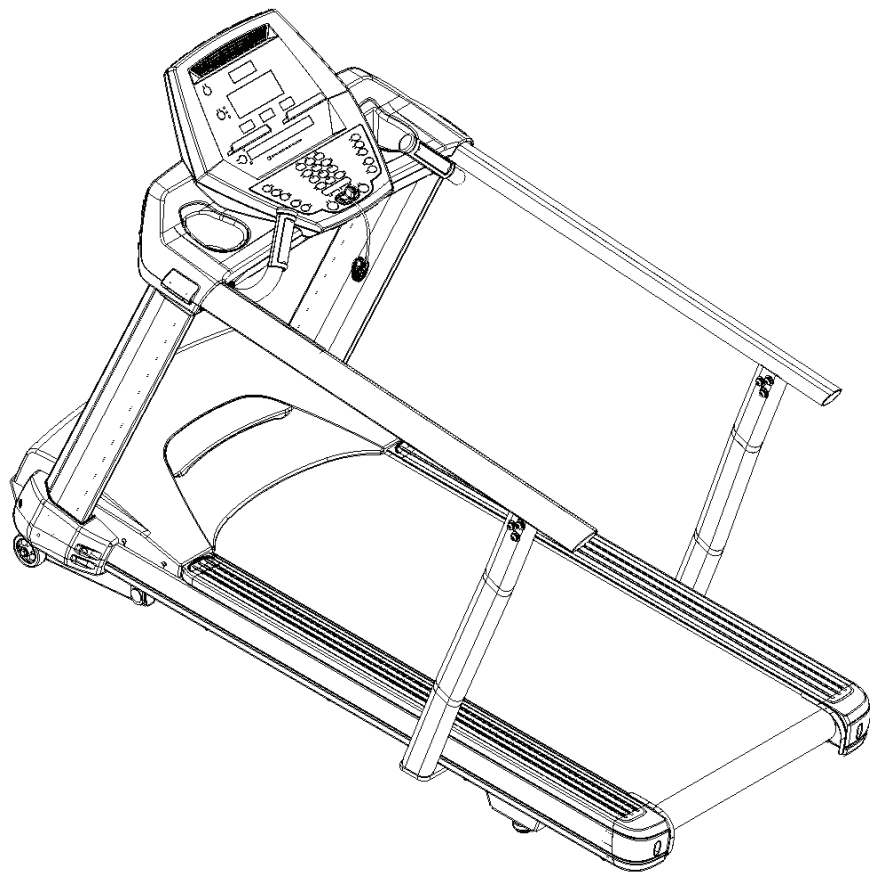
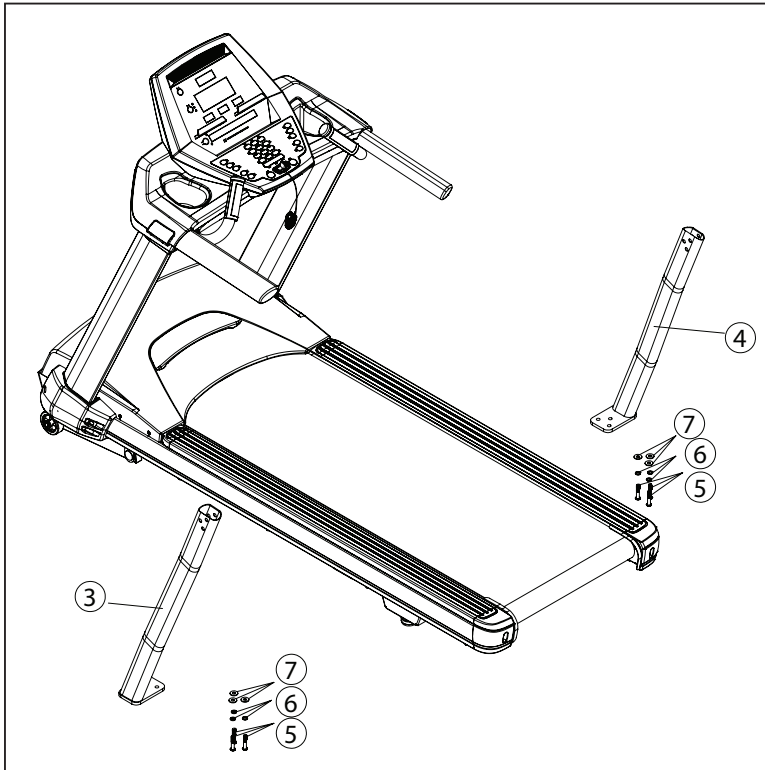


# **CT800** EXTENDED HANDRAILS

## INSTALLATION GUIDE



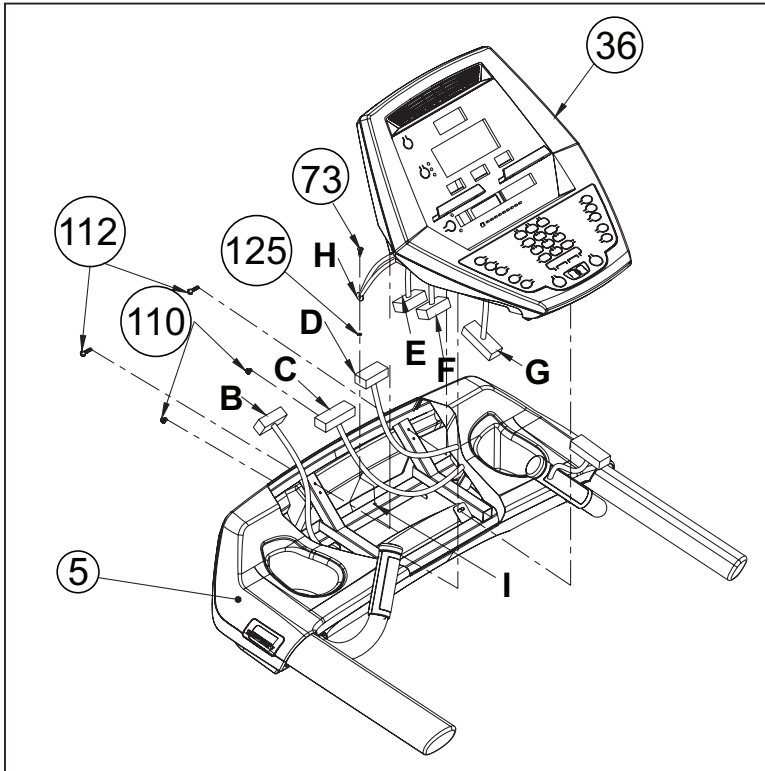
# CT800 EXTENDED HANDRAILS STEP ONE



HARDWARE FOR STEP 1			
PART	TYPE	DESCRIPTION	QTY
5	BOLT	M8X1.25X25L	6
6	SPLIT WASHER	M8	6
7	FLAT WASHER	M8	6

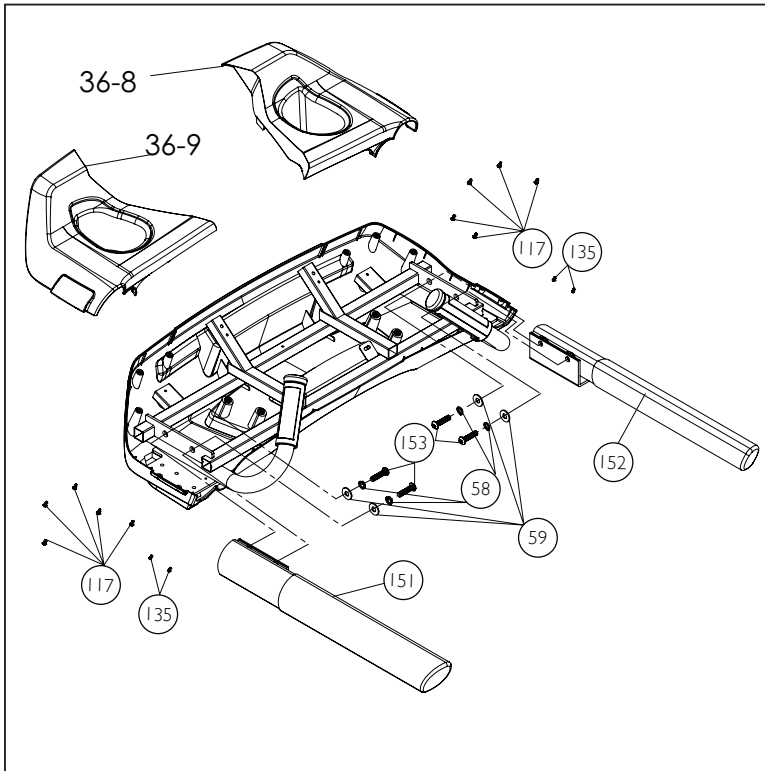
1. Attach the **RIGHT HANDRAIL UPRIGHT TUBE (4)** to the underside of the treadmill frame with 3 **BUTTON HEAD SOCKET BOLTS (5)**, 3 **SPLIT WASHERS (6)**, and 3 **WASHERS (7)**. Do not fully tighten these yet. Repeat on the left side (3).

# CT800 EXTENDED HANDRAILS STEP TWO



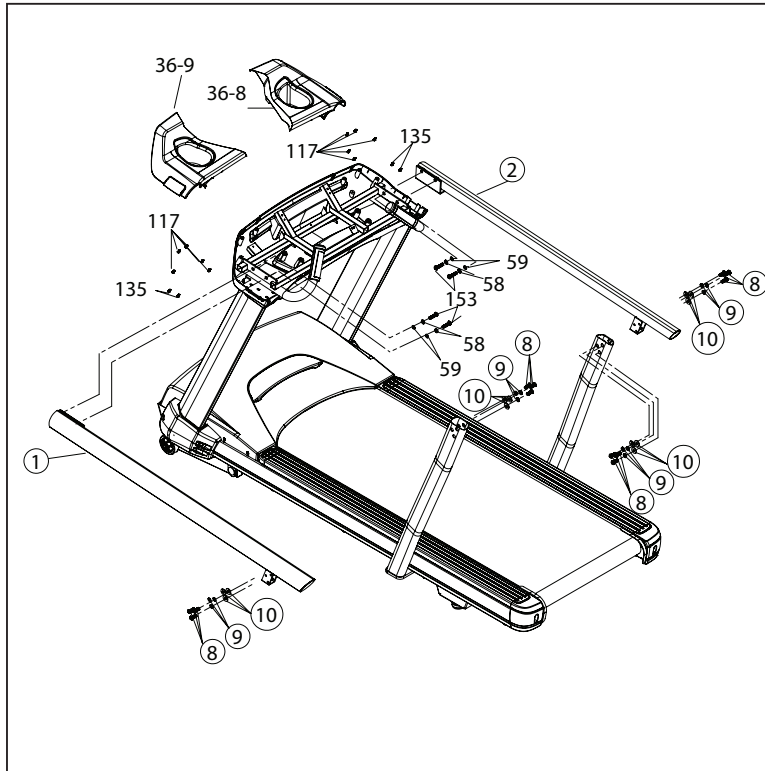
1. Remove the **CONSOLE (36)** from the **FRAME (5)** by taking out the 2 **SCREWS (112)** in the upper set of holes and the 2 **SCREWS (110)** in the lower set of holes.
2. Disassemble the **GROUND CABLE (H)** from I in the steel frame by removing the **SCREW (73)** and **STAR WASHER (125)**.
3. Either have someone hold the loose console or set it on an object so you don't have to disconnect the cables.

# CT800 EXTENDED HANDRAILS STEP THREE



1. Remove 5 (117) and 2 (135) **SELF TAPPING SCREWS** from the bottom of each side. Set the beverage holder plastic trays aside (36-8 & 36-9).
2. Remove the 2 **BOLTS (153)**, **FLAT WASHERS (59)**, and **LOCK WASHERS (58)** that hold the **SHORT HANDRAILS (151 & 152)** in place and either set them aside. You will need this hardware for the assembly of the long handrails.

# CT800 EXTENDED HANDRAILS STEP FOUR

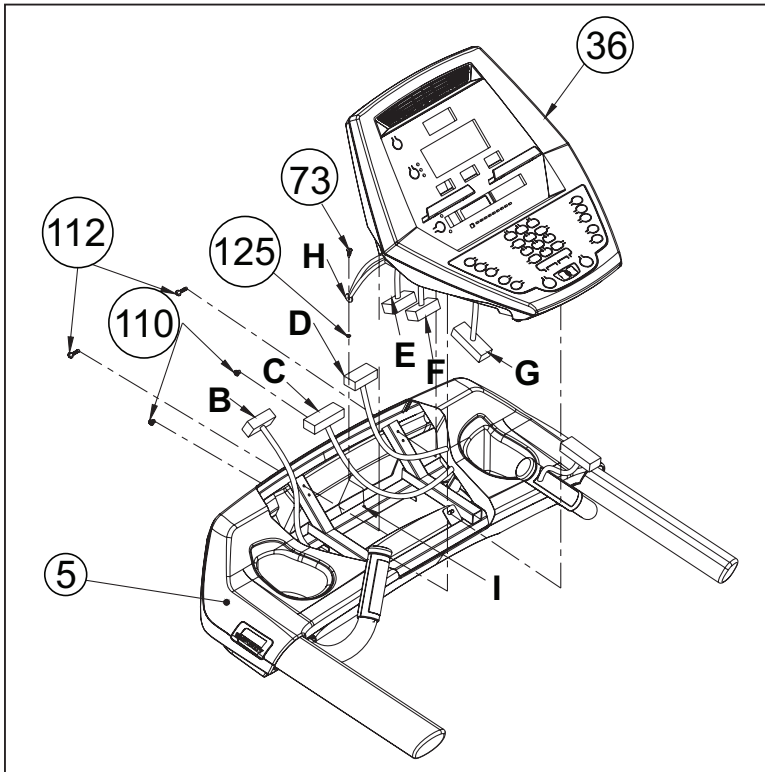


**HARDWARE FOR STEP 4**

PART	TYPE	DESCRIPTION	QTY
8	BOLT	3/8"X3/4"L	12
9	SPLIT WASHER	3/8"	12
10	FLAT WASHER	3/8"	12

1. Place the **RIGHT SIDE HANDRAIL (2)** onto the front and into the rear attachment sites. Secure the rear joint with 3 **BUTTON HEAD BOLTS (8)**, **SPLIT WASHERS (9)**, and **FLAT WASHERS (10)** on the inside and outside. Repeat the process on the left side (1).
2. Attach the **RIGHT FRONT SIDE (2)** with the hardware that you removed when taking the short handrails off: 2 **BOLTS (153)**, **LOCK WASHERS (58)**, and **FLAT WASHERS (59)**. Repeat this process on the left side (1). Firmly tighten all hardware that is loosely attached at each joint.
3. Reattach the right (36-8) and left (36-9) beverage holder plastics with 5 **SELF TAPPING SCREWS (117)** and 2 **SELF TAPPING SCREWS (135)** on each side.

# CT800 EXTENDED HANDRAILS STEP FIVE



1. Reattach the ground wire to I of the **FRAME (5)** with 1 **SCREW (73)** and **STAR WASHER (25)**. If you separated the other cables from one another, reattach cables G & C, D & F, and B & E. Secure the **CONSOLE (36)** to the **FRAME** with 2 **SCREWS (112)** in the upper set of holes and 2 **SCREWS (110)** in the lower set of holes



800.258.4555  
spiritservice@spiritfitness.com  
www.spiritfitness.com



Spirit Fitness  
3000 Nestle Road  
Jonesboro, AR 72401



CT800 Extended Handrails  
Installation Guide  
© 2017 All Rights Reserved  
Revision: 04.28.17